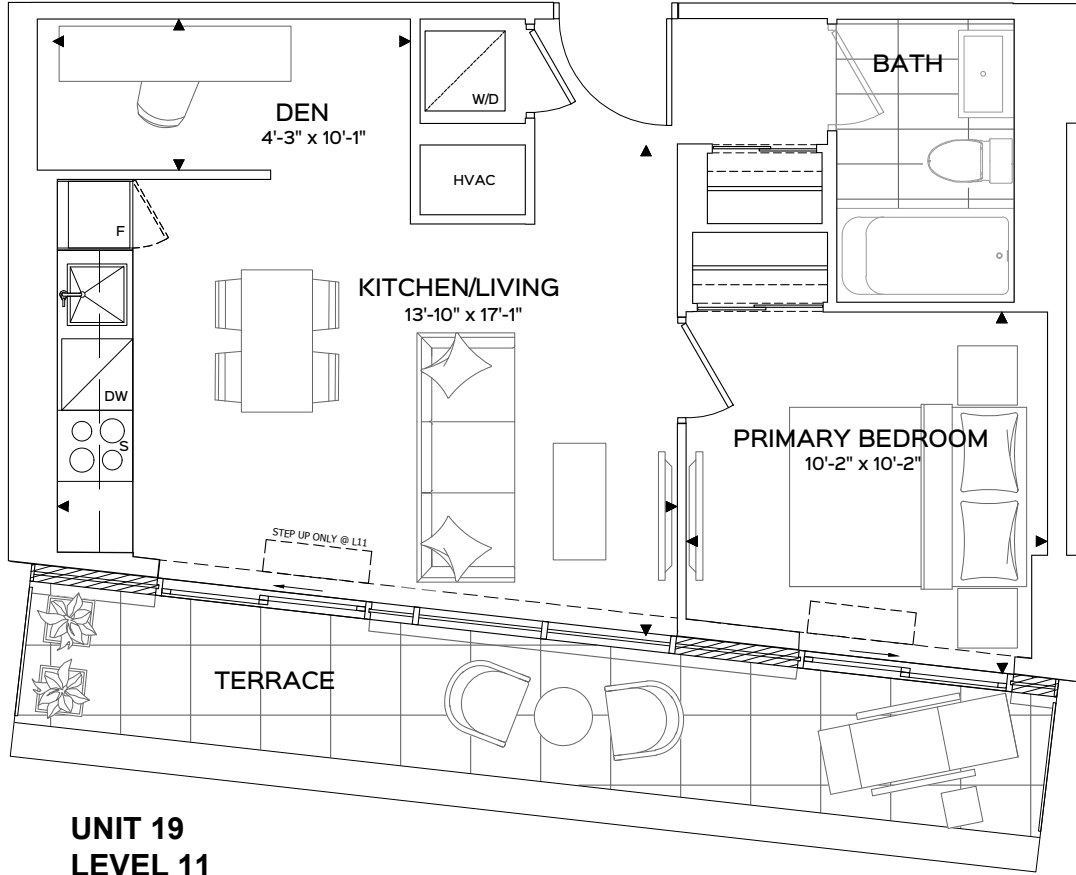


ONE BEDROOM + DEN

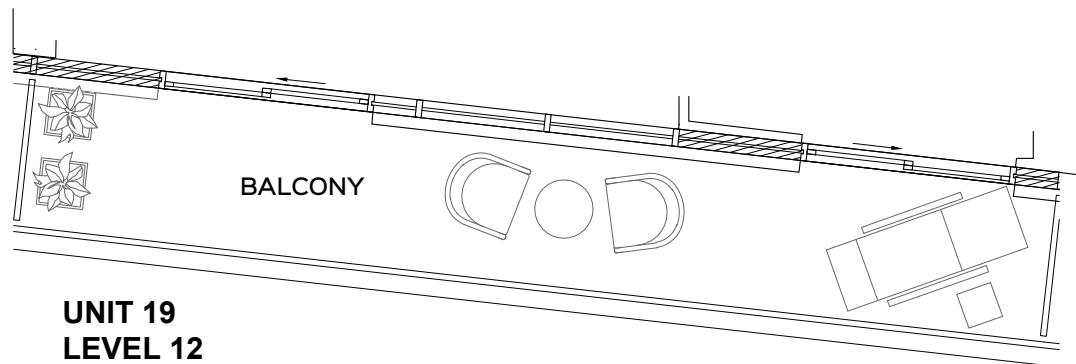
EMBASSY

529 SQ.FT. • 144 SQ.FT. BALCONY @ LEVEL 12

529 SQ.FT. • 144 SQ.FT. TERRACE @ LEVEL 11

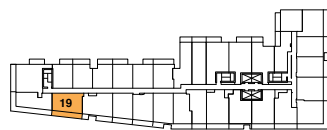


**UNIT 19
LEVEL 11**

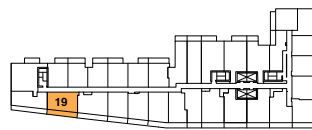


**UNIT 19
LEVEL 12**

B-1N+D



LEVEL 11



LEVEL 12

THE
REBECCA
CONDOS

Floorplans are subject to change without notice. Actual dimensions and square footage may vary from that stated herein. Floorplans are not to scale and may be mirror image of what is shown. Window and door locations, size and type may vary without notice. Bulkheads required for construction purposes have not been indicated. Tile patterns may vary. Any furniture and/or islands not included. Balcony, terrace and/or patio square footage is approximate, not included in the suite area and may vary depending on floor level, location and other factors, and is subject to change without notice. E. & O.E.

